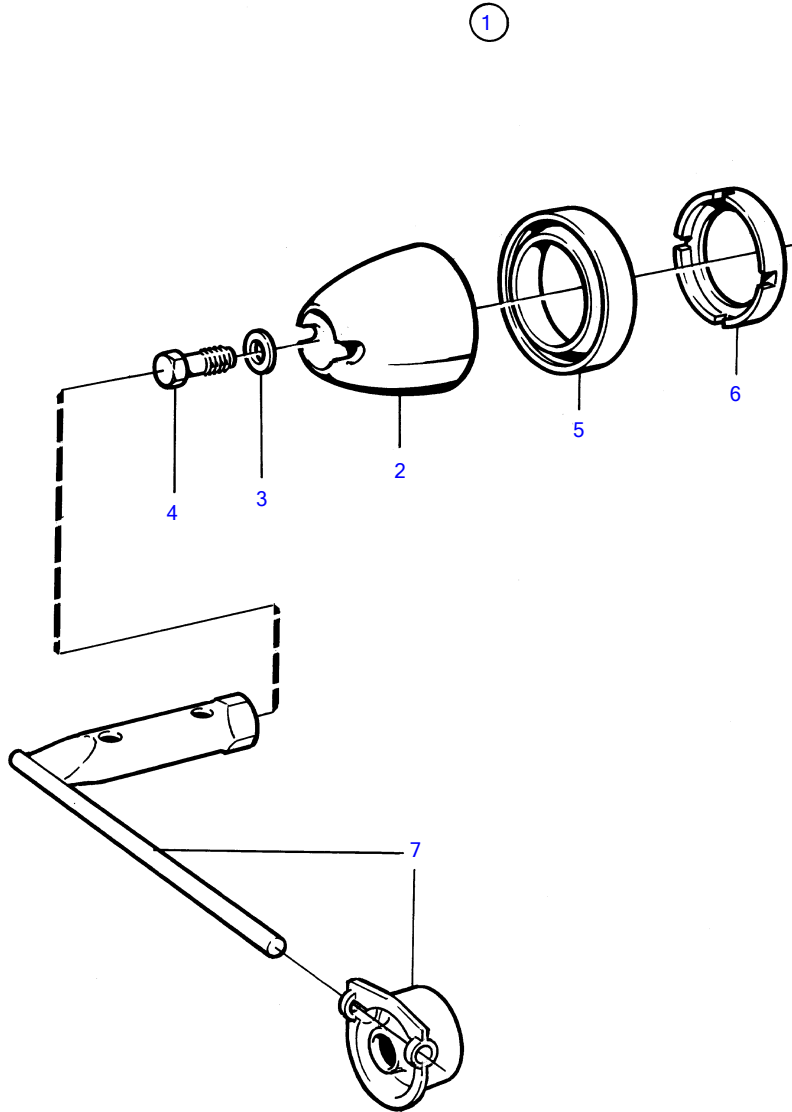


KAD42P-A, KAMD42P-A



11507

KAD42P-A, KAMD42P-A

REF	PART NO.	QTY	DESCRIPTION
1	872549	1	Spinner
2		1	• Spinner
3	943194	1	• Washer
4	872546	1	• Lock screw
5	853676	1	• Spacer ring
6	854294	1	• Plastic washer
7	873058	1	Tool kit